

BeBa-26079~BeBa-26090  
 BeBa-26091~BeBa-26092  
 BeBa-27452 & BeBa-27453

The micro protective layer formed during its application will make the water bead along the glass for easy maintenance.

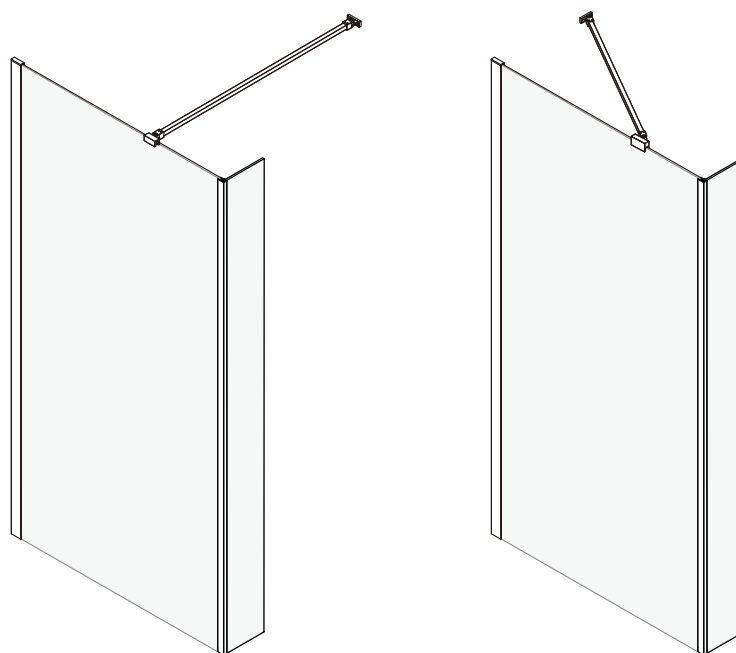
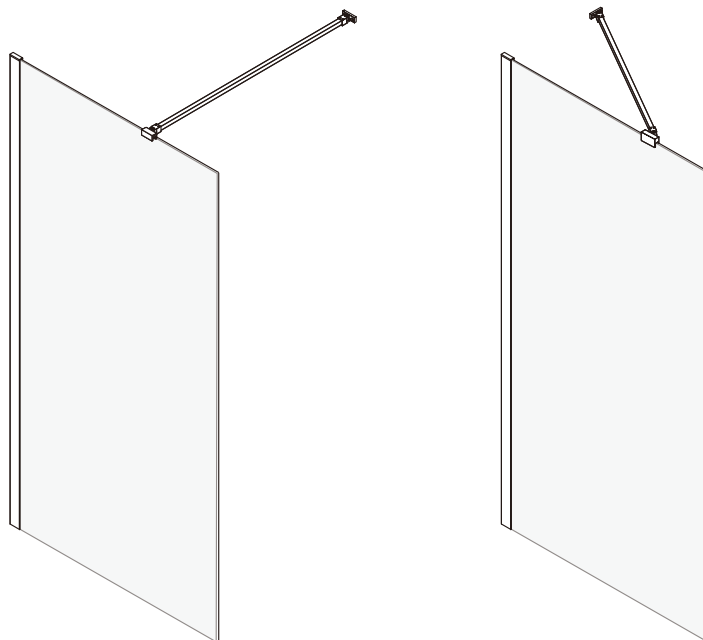
We recommend cleaning the door with the squeegee after each use.

#### THE MAINTENANCE OF YOUR SHOWER

Never use of powder or scouring pads. Simply clean the door with a solution of water and vinegar, 1 to 5. You can use a mild detergent but never use ammoniac, it could damage the glass surface.

#### REVERSIBLE DOOR

Les instructions montr é s au manuel sont pour le montage de la porte droite.  
 The instructions shown in the manual is for the installation of the right door.



## INSTALLATION MANUAL

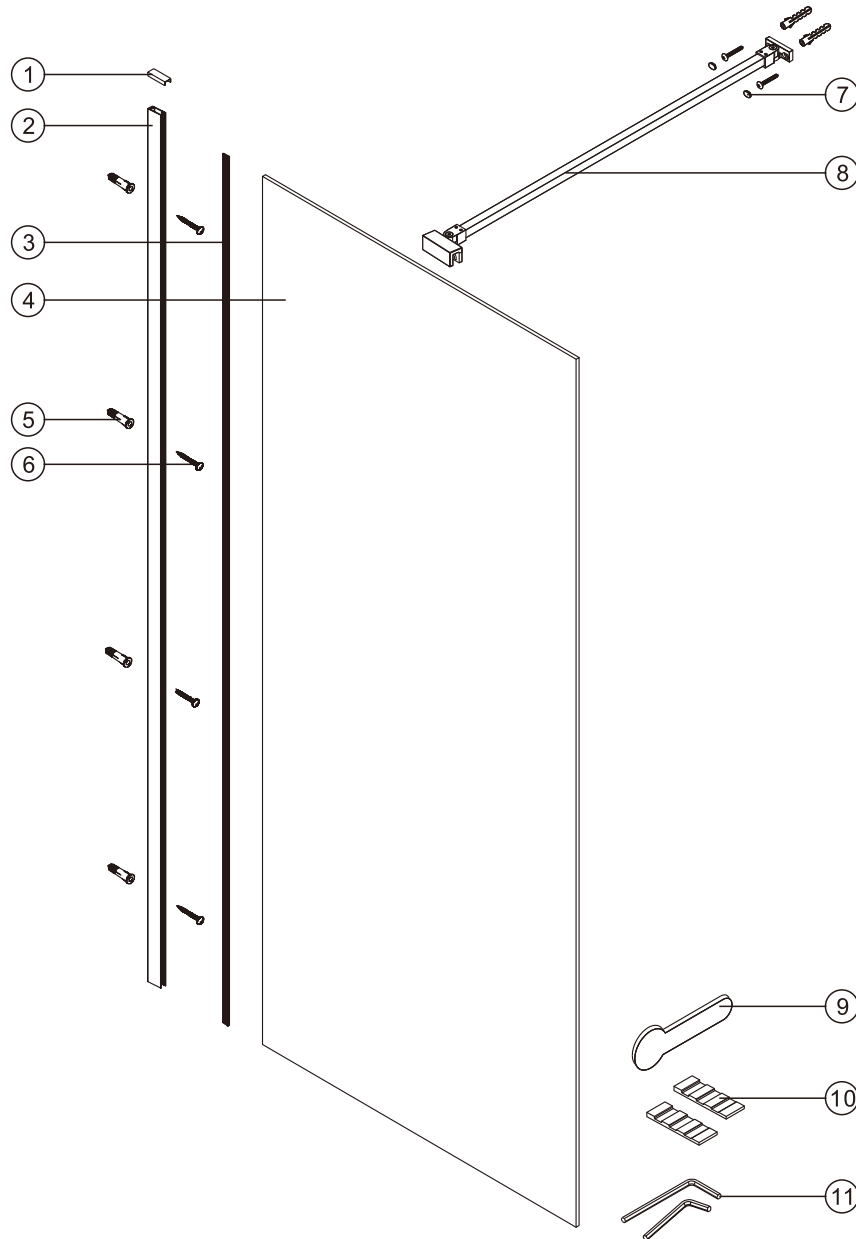
#### IMPORTANT

- Thoroughly inspect your product before proceeding with the installation.
- The warranty will be void if the product is installed with a conspicuous defect.
- Before commencing drilling please check that no pipes or cables can be damaged.

#### CAUTION

- To prevent leaks, silicone must be applied on the outside of the shower and not on the inside!
- Read all instructions carefully before starting the installation.
- Save this manual for future reference.

# PARTS LIST



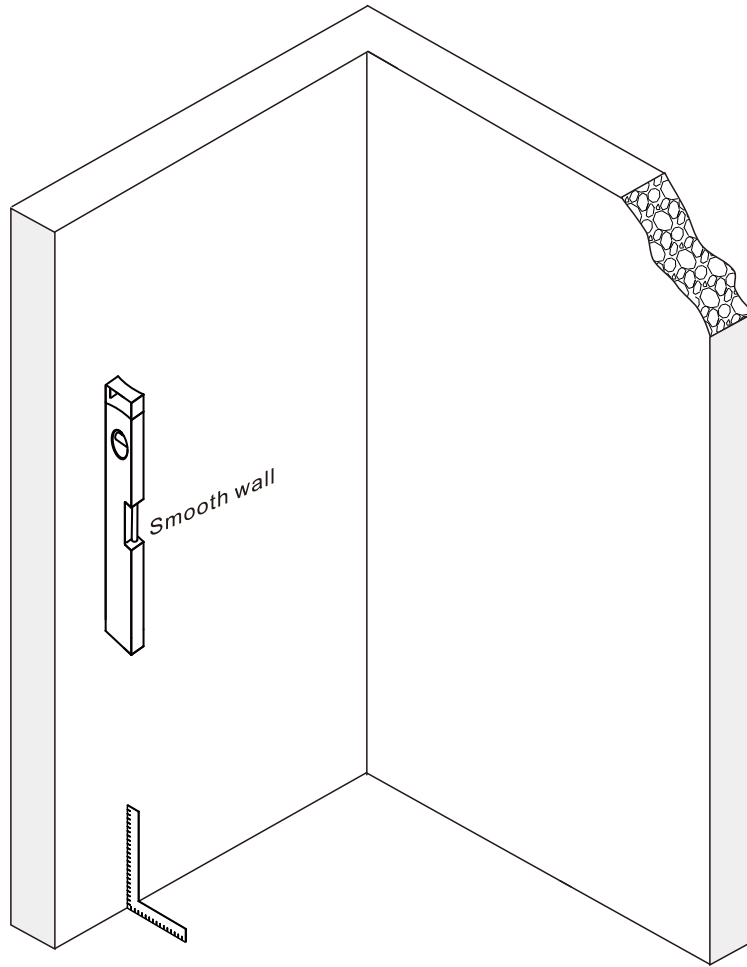
NO	Qty	Description	NO	Qty	Description
1	1	Cover Cap	7	2	Screw cap
2	1	Wall Channel	8	1	Bracing bar
3	1	Squeeze gasket	9	1	Squeeze gasket tool
4	1	Glass Screen	10	2	Glass Wedge
5	6	Wall Plug	11	2	Allen key
6	6	Screw ST4X40			

# PARTS LIST

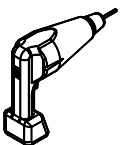


NO	Qty	Description
1	1	Glass Screen
2	2	Squeeze gasket
3	1	Corner profile
4	1	Squeeze gasket tool
5	2	Glass Wedge

# PREPARATION



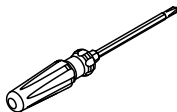
## TOOLS AND MATERIALS REQUIRED



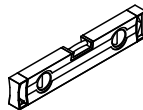
PERCEUSE  
DRILL



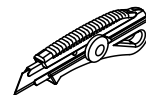
VIS  
SCREWS



TOURNEVIS  
SCREWDR



NIVEAU  
LEVEL



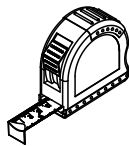
COUTEAU DE PRECISION  
PRECISION KNIFE



SILICONE  
SILICONE



FORETS: 1/8", 3/16" ET 1/4"  
\*FORET À MAÇONNERIE  
DRILL BITS: 1/8", 3/16" ET 1/4"  
\*MASONRY DRILL BIT



RUBAN À MESURER  
MEASURING TAPE



ÉQUERRE  
SET SQUARE



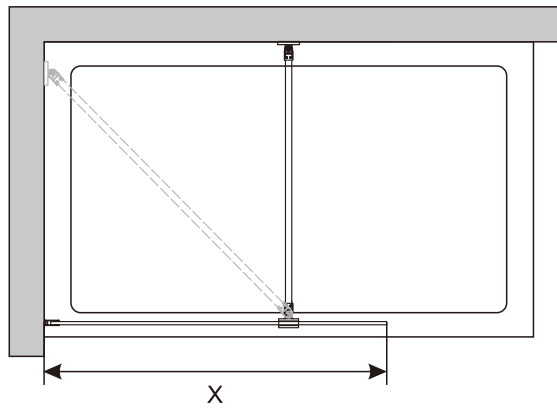
CRAYON  
PENCIL



MAILLET  
MALLET

# CONTINUED

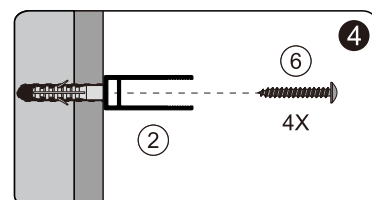
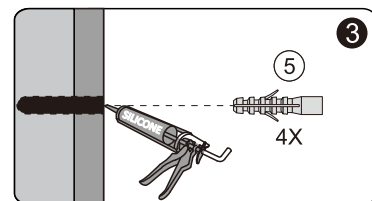
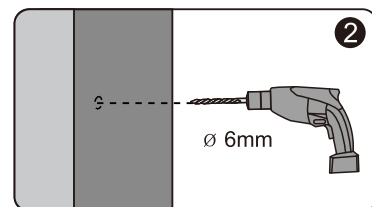
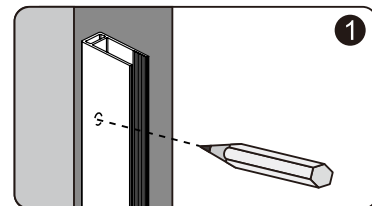
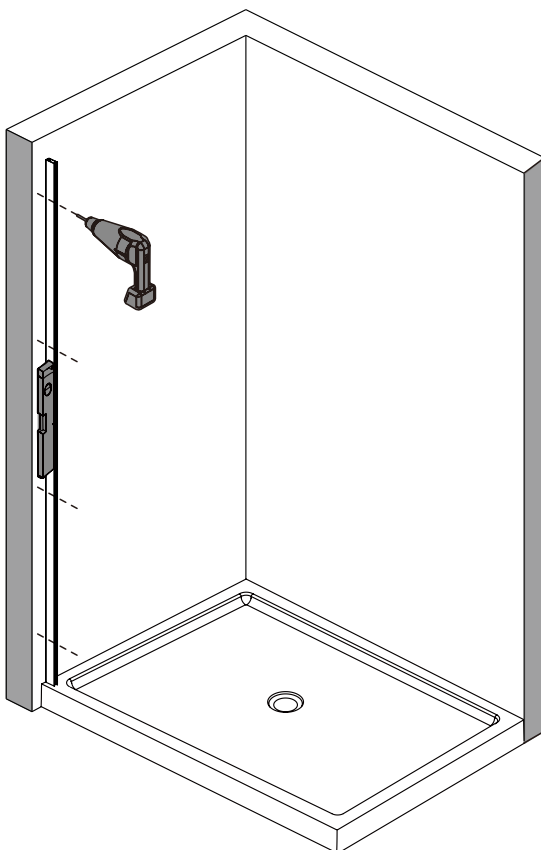
**A** 01



Size	X,mm	Size	X,mm
700	675~690	1100	1085~1100
800	775~790	1200	1185~1200
900	875~890	1400	1385~1400
1000	985~1000		

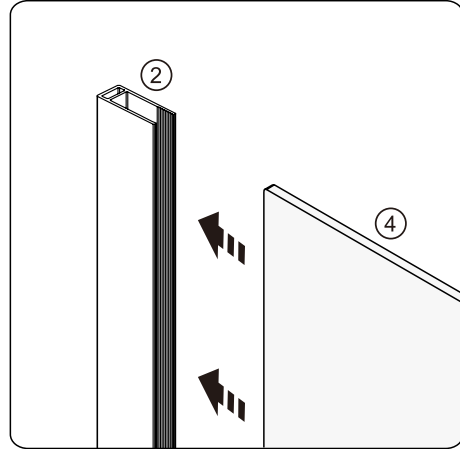
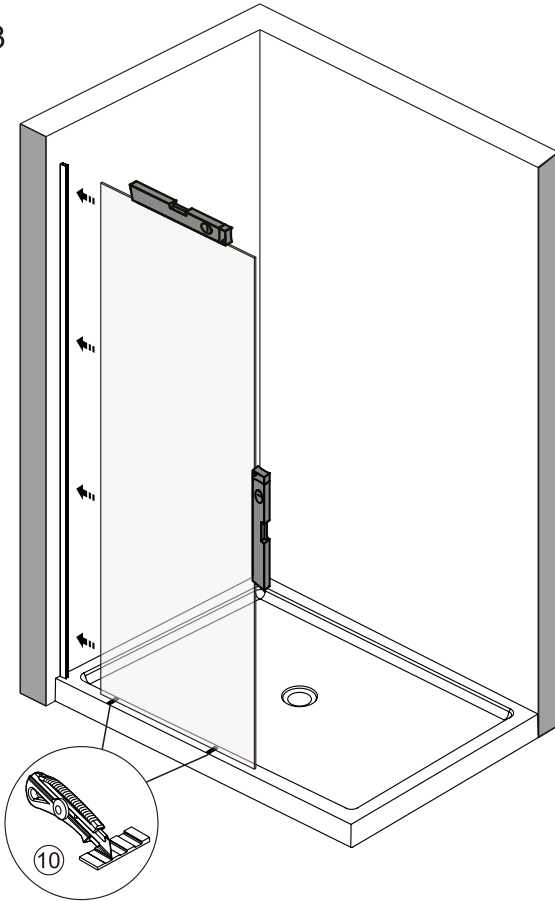
# CONTINUED

**A** 02



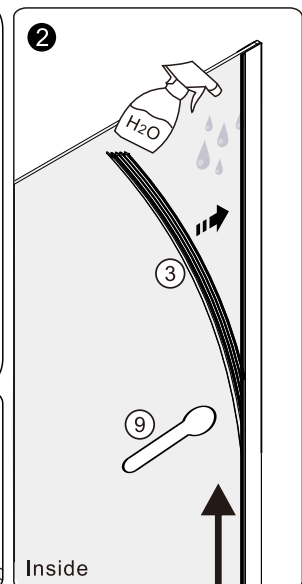
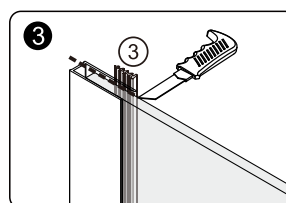
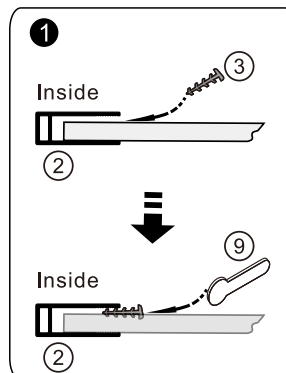
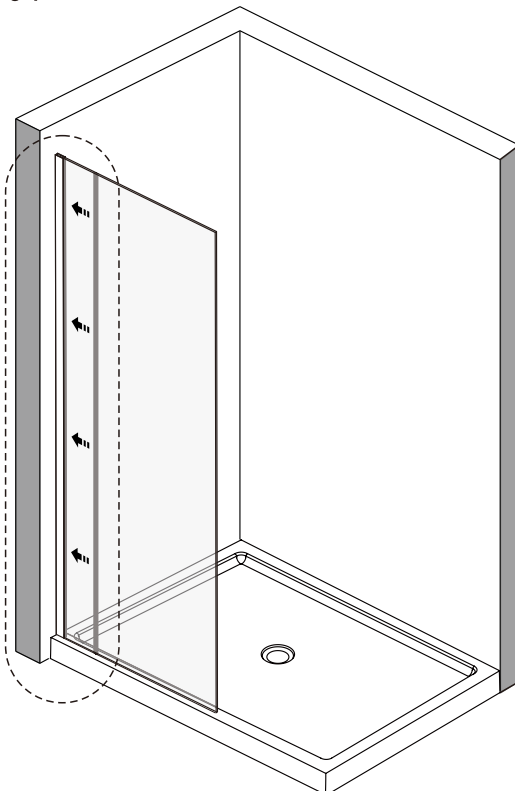
CONTINUED

**A** 03

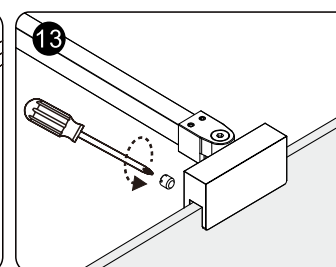
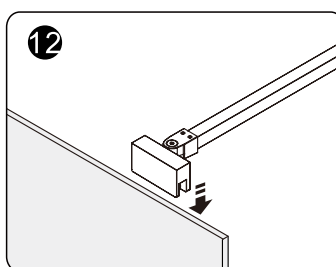
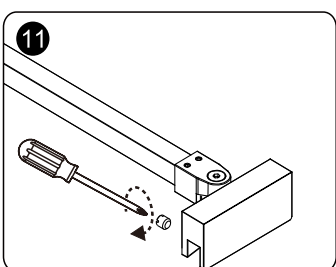
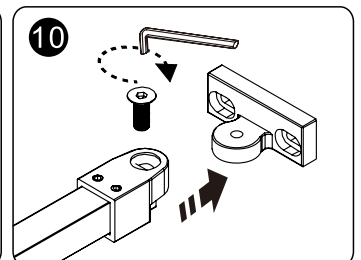
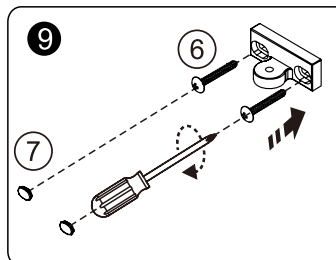
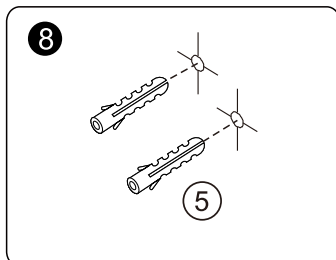
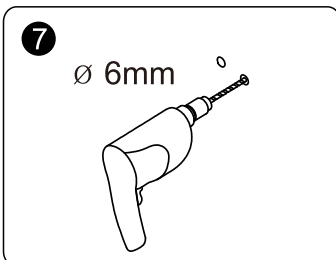
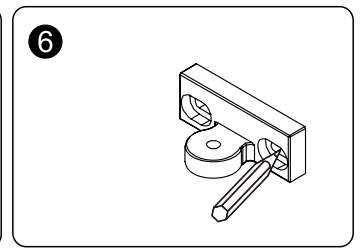
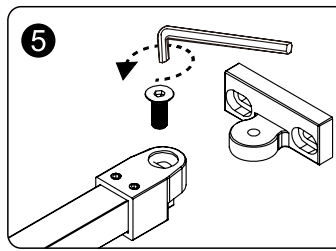
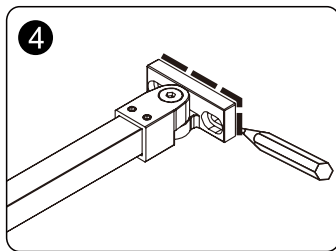
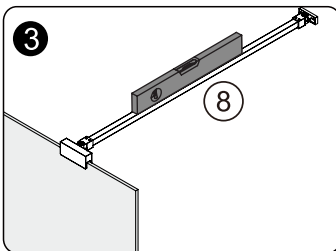
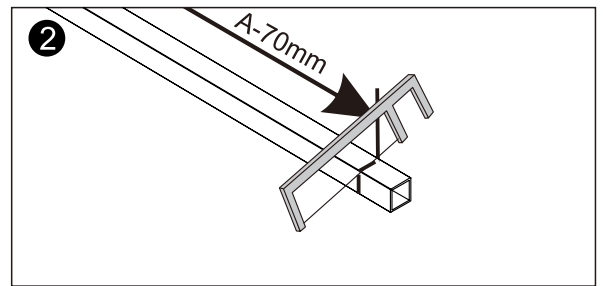
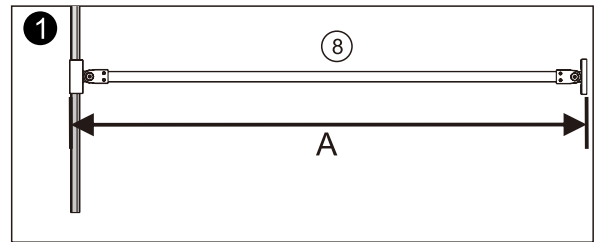
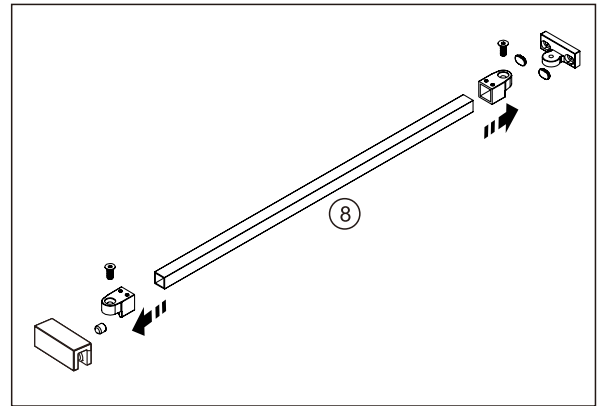
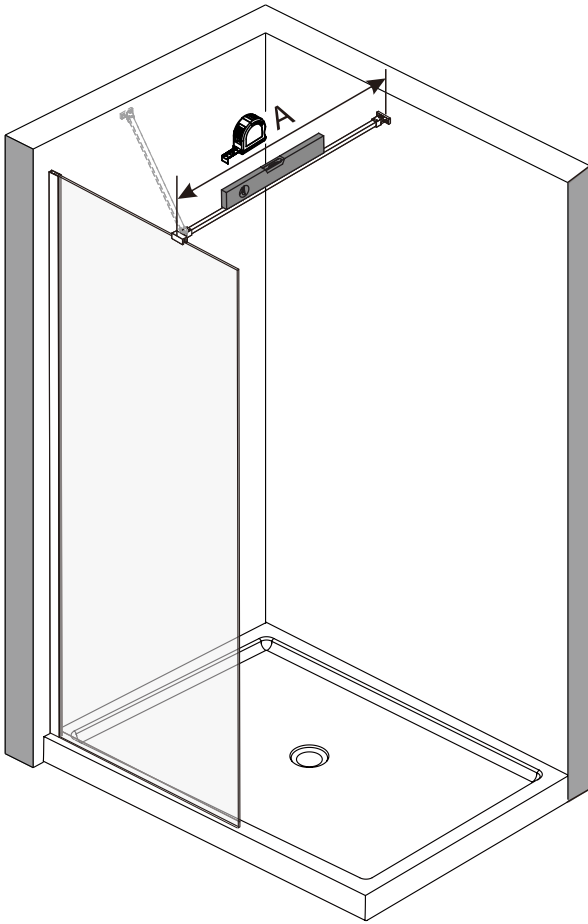


CONTINUED

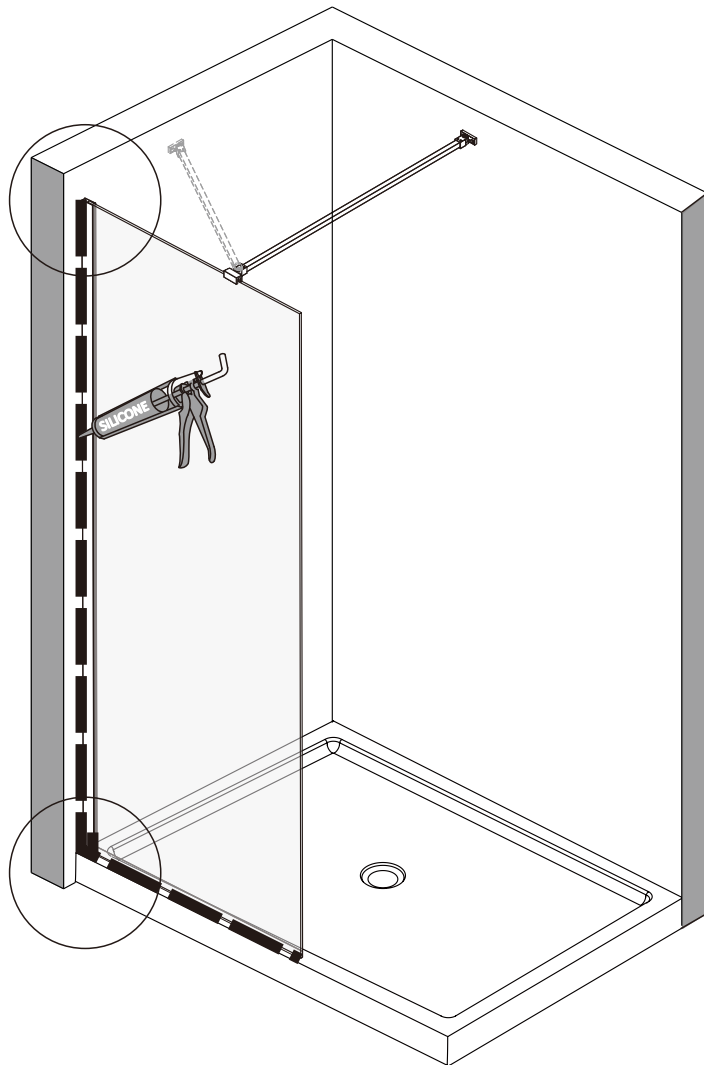
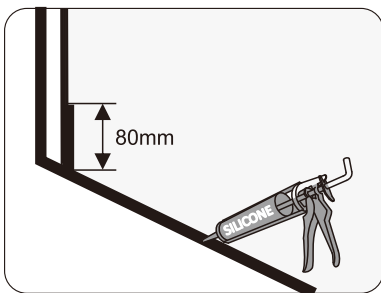
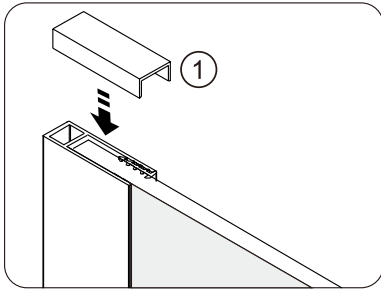
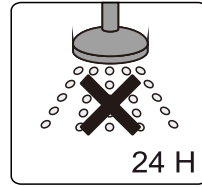
**A** 04



**A** 05



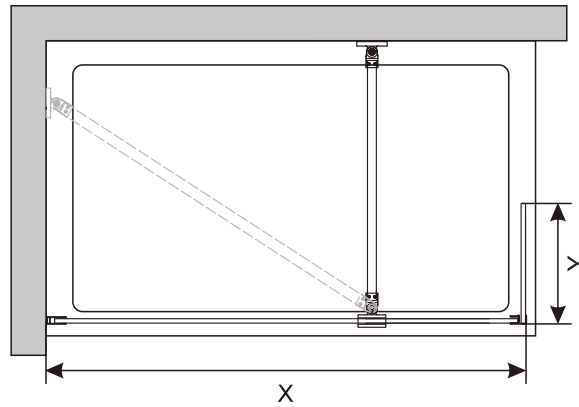
A 07





# CONTINUED

**B** 01

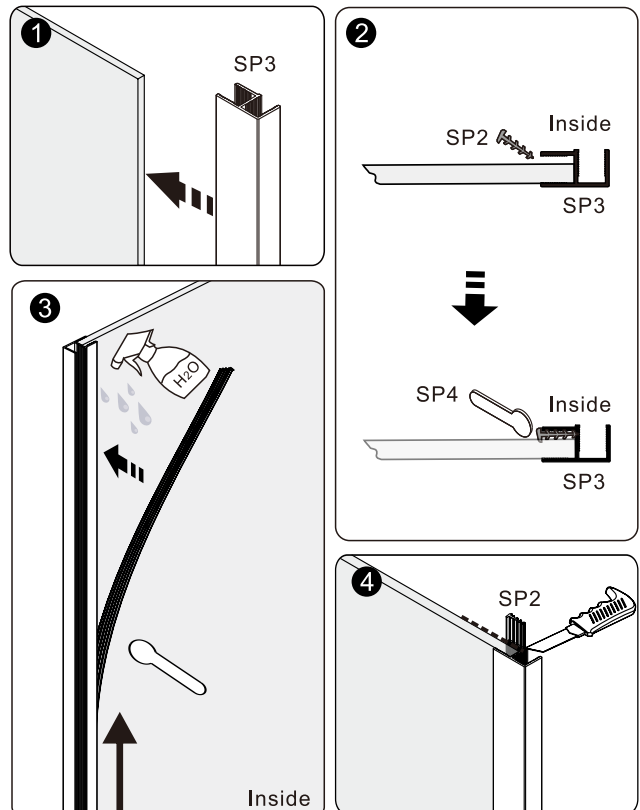
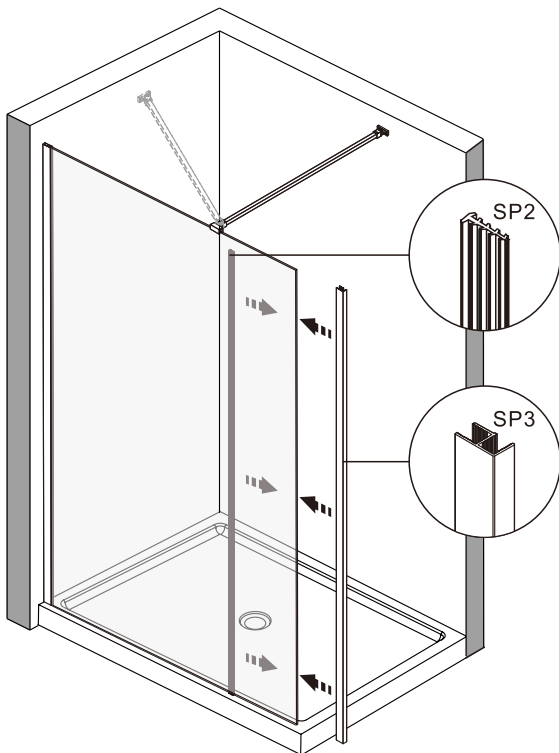


Size	X,mm
700	690~705
800	790~805
900	890~905
1000	1000~1015
1100	1100~1115
1200	1200~1215
1400	1400~1415

Size	Y,mm
300	300

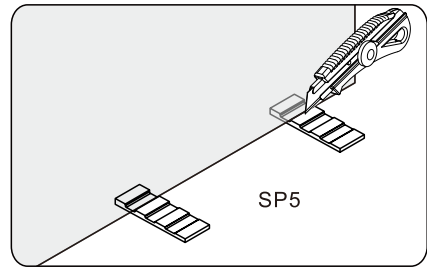
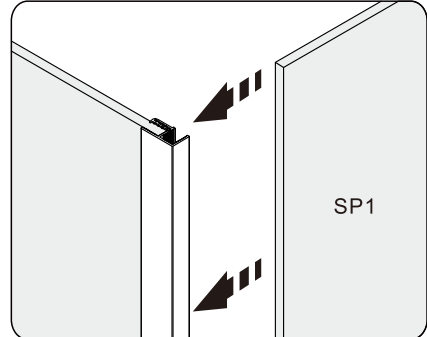
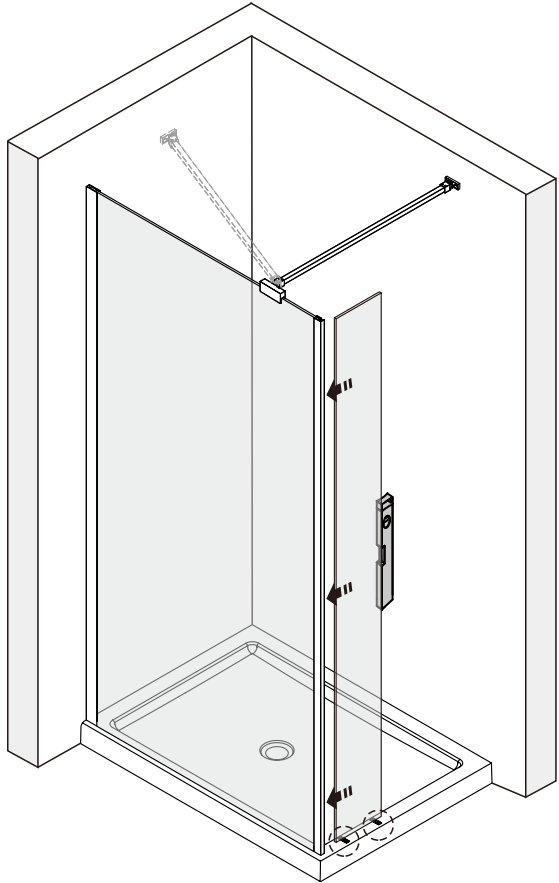
# CONTINUED

**B** 02



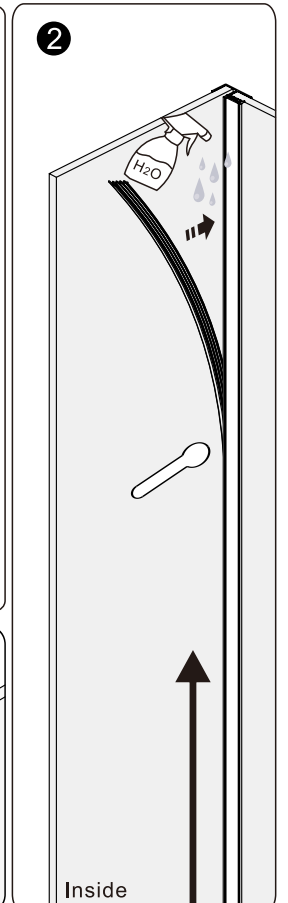
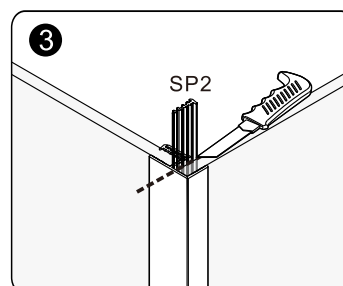
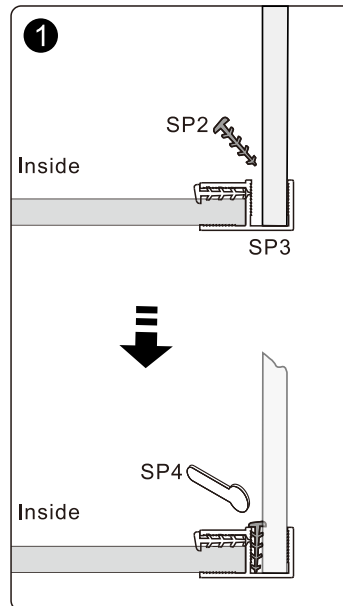
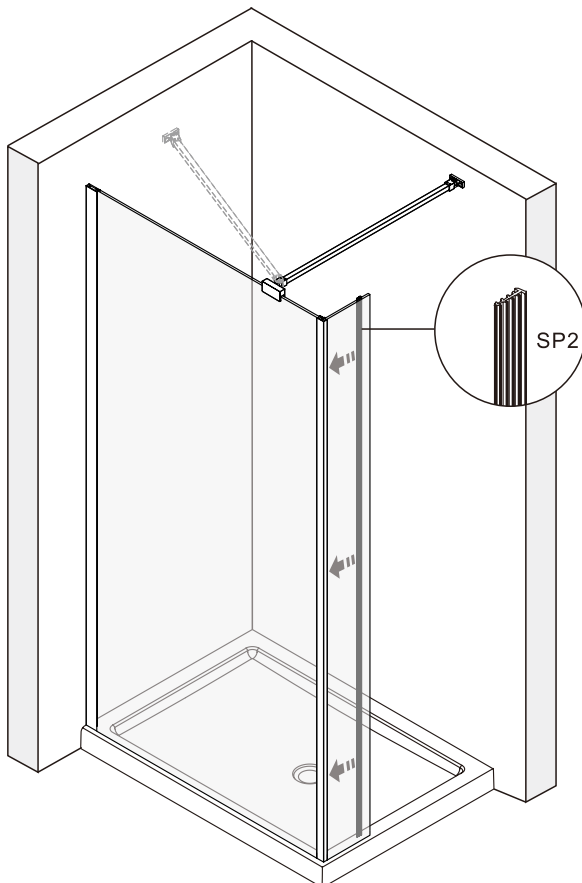
# CONTINUED

**B** 03



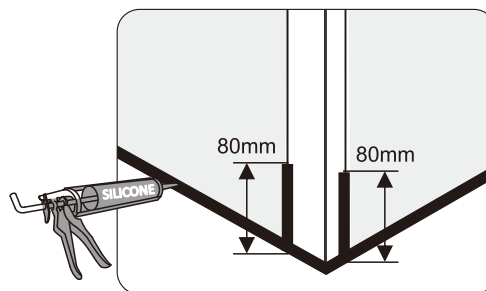
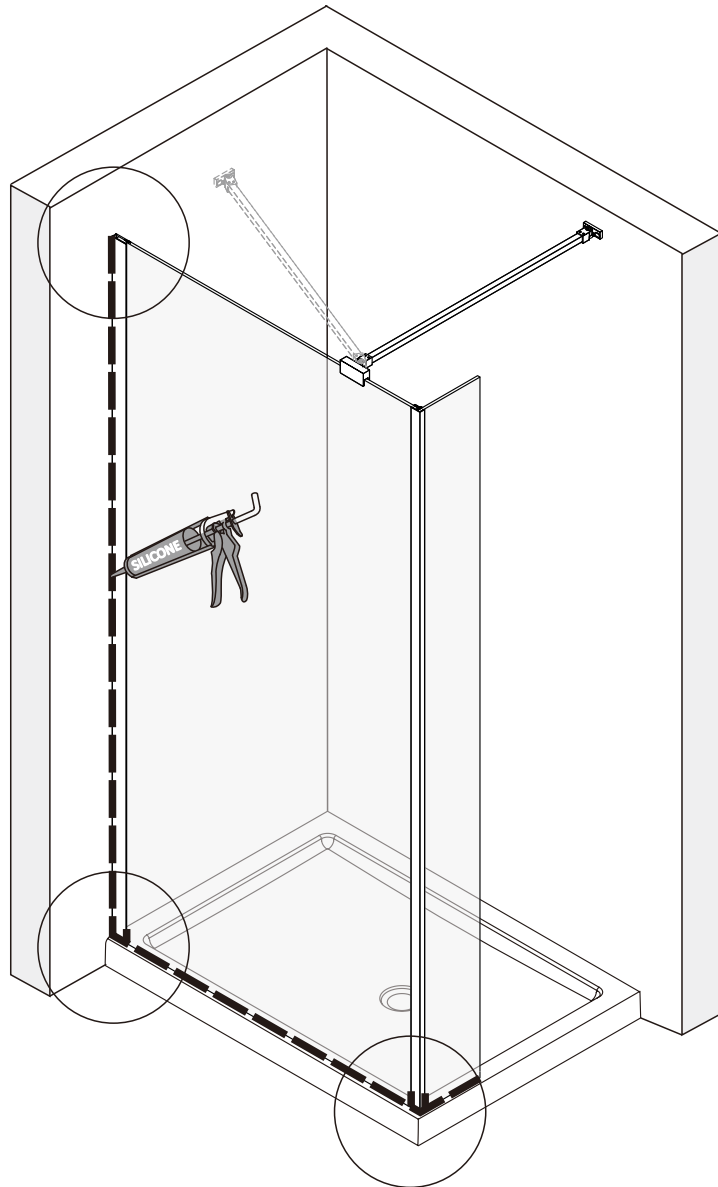
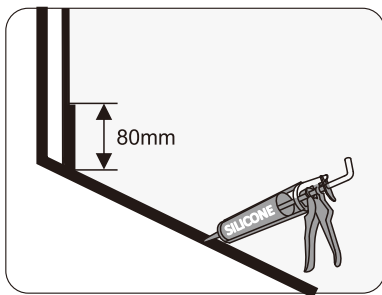
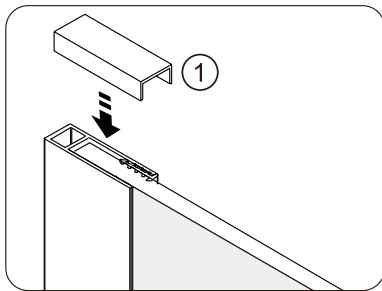
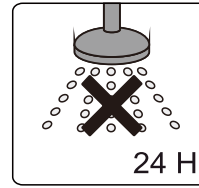
# CONTINUED

**B** 04



# CONTINUED

**B** 05



# HELSINKI

## INSTALLATION INSTRUCTIONS

### Recessed Installation

1. Cut flooring, allowing clearance on width and length of the tray to enable the tray to slot into position.
2. Ensure the joists are adapted to give complete support to the shower tray.
3. Install as per flat to floor installation.

### Maintenance

As good as new finish can be maintained by following these simple instructions:

1. Dry out the tray fully after every use, to avoid build up of limescale and soap residue.
2. Clean the shower tray regularly using a damp cloth or sponge, dry with a soft dry cloth.
3. Occasionally use a non-abrasive cleaner to remove stubborn stains.

### Check List

PLEASE NOTE: These checks should be carried out **before installation**.

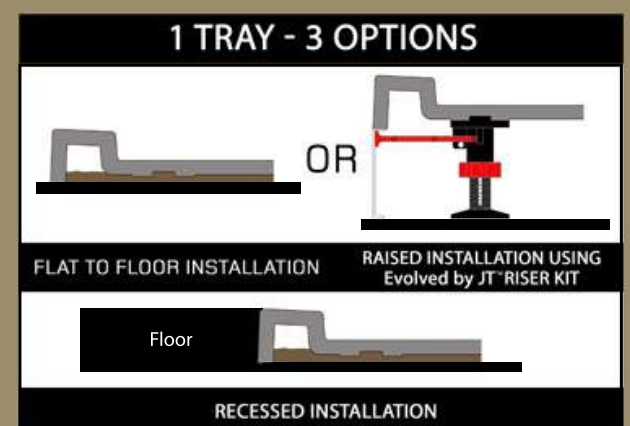
- 1. Ensure the Quality Acceptance section has been read and understood.
- 2. Ensure the enclosure dimensions are compatible with the shower tray.
- 3. Check for any transit damage or product defects.
- 4. Perform a shower tray water drainage test before installation.
- 5. Check that all Riser kit contents are present.\* (See table below)

Riser Kit Number	Legs	Panel Support	Large Circular Sticky Pad	Small Circular Sticky Pad	Floor Clips	Panels
1	6	4	6	4	6	1
6	10	6	10	6	7	2

\*Riser kits must be purchased separately.

### Quality Acceptance

1. Fitting the product is acceptance of quality.
2. All guarantees are void unless all these instructions are followed. (Including maintenance)
3. In acceptance of quality, the check list must be completed.



# RAISED INSTALLATION

## Preparation

1. Scribe 2. Prepare

**1.** Place the tray in situ. Scribe a pencil line around the tray and waste hole as shown. Refer to step 1 of the waste instructions and turn the tray over on to a soft dust sheet.

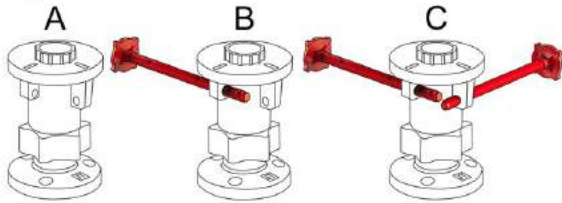


**2.**

Determine the required:

- Tray diagram below appropriate to your installation
- Leg assemblies: A, B, C
- Positions of Panel supports
- Required panel positions

Leg Assemblies



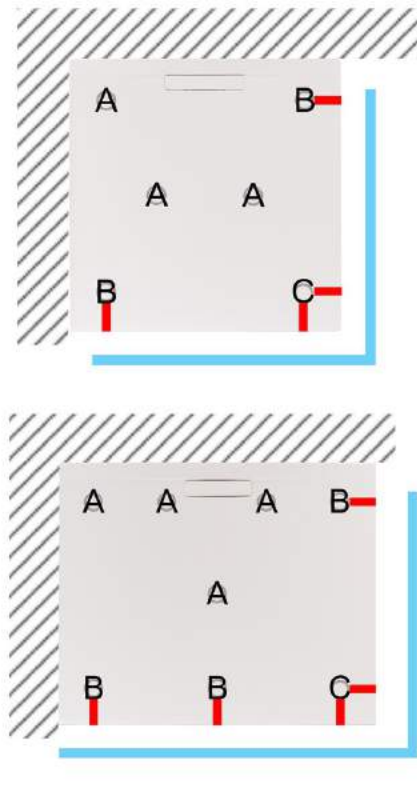
Rule: Panel supports should be used on open edges and to support panels only. When waste is against a wall, leg C should be used in the open corner as shown below.

Walls

ABC Legs

Panel Supports

Panels



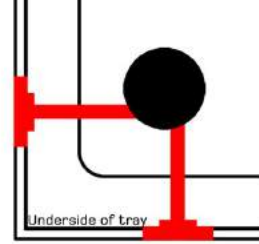
## Fitting

3. Assembly + Leg Fitting

**3.** Apply the large circular sticky pads to all leg bayonet fittings. Following diagrams A to D below, fix all the legs to the built-in leg fixing locations. Use step 2 diagrams for reference.

**A. Align panel supports**

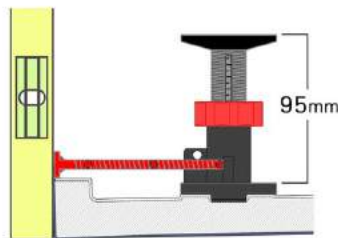
90° to outside wall



**B. Fit**



**C. Adjust**



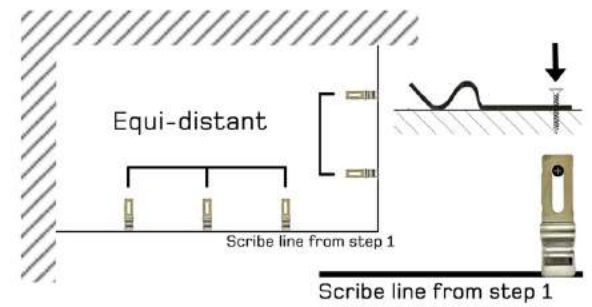
**D. Level**



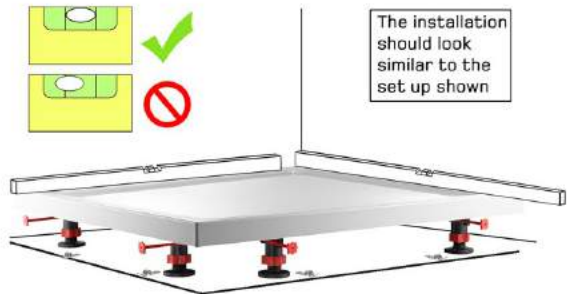
## Finishing

4. Clips 5. Level 6. Fix 7. Panels 8. Seal

**4.** Screw down all floor clips as shown below.



**5.** Turn the tray over and peel the protective film from the outer edges and waste only. Place the tray in situ and level both ways.

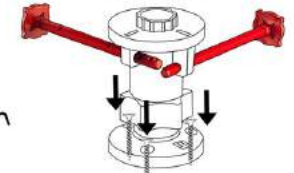


**6.** Refer to step 2 of the waste instructions then proceed to fix all legs to the floor. Screw fix legs where possible and fix the centre leg(s) last to form a stabilising point.

Silicone seal

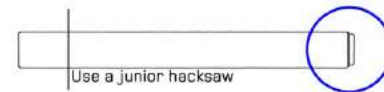


Screw fix



**7.** Panels - Retain the return rebated ends (circled). Follow steps A to C below to fit the panels. Ensure quad panels line up with quad trays

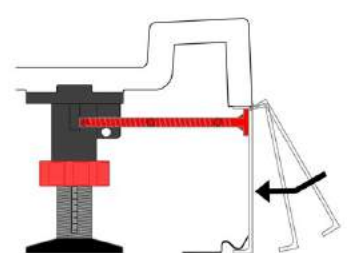
**A. Mark and cut**



**B. Apply the small sticky pads**



**C. Fit to tray**



**8.** To complete the installation, tile and seal all joints by following steps 7 and 8 of the FLAT TO FLOOR 'Finishing' section below.

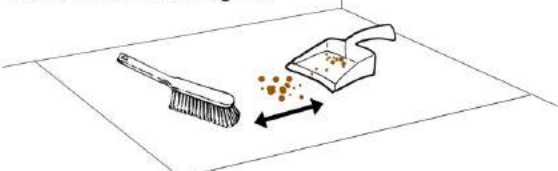
The following items, which are not provided, are also required to complete the installation: - A soft dust sheet - 10mm marine plywood - Sand and cement - Anti-fungal silicone sealant

# FLAT TO FLOOR INSTALLATION

## Preparation

1. Clean 2. Base 3. Film

**1.** Prepare area by clearing all debris and levelling off.



**2.** Ensure the flooring is moisture resistant. A marine ply base (min. 10mm thick) is required if the floor is not moisture resistant. Cut a hole to accommodate the waste and ensure the floor is well supported.



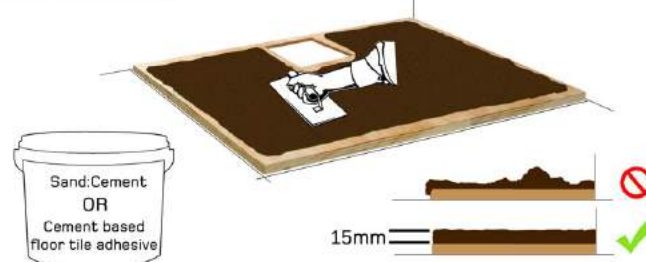
**3.** Remove protective film from wall sides and waste only. Refer to step 1 of the waste instructions.



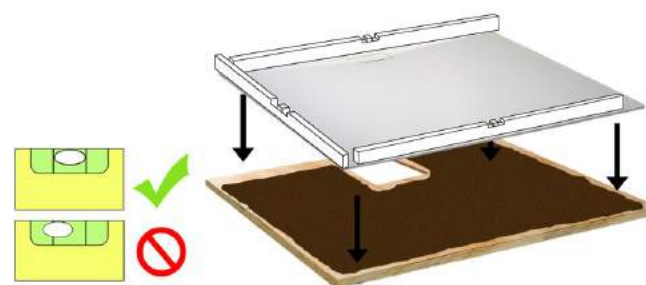
## Fitting

4. Base 5. Fit and Level

**4.** Cover the base with a 15mm thick 5:1 ratio Sand:Cement mix.



**5.** Carefully lower the tray onto the prepared base. Gently press on the tray to force it into position and level off. Ensure tray is completely level.



## Finishing

6. Waste 7. Tile 8. Seal

**IMPORTANT:** Allow tray to fully set for 24 hours before proceeding

**6.** Refer to step 2 of the waste instructions.

**7.** Protect the tray with a soft dust sheet and commence tiling.

**8.** Seal all joints and allow to set to complete the installation.

